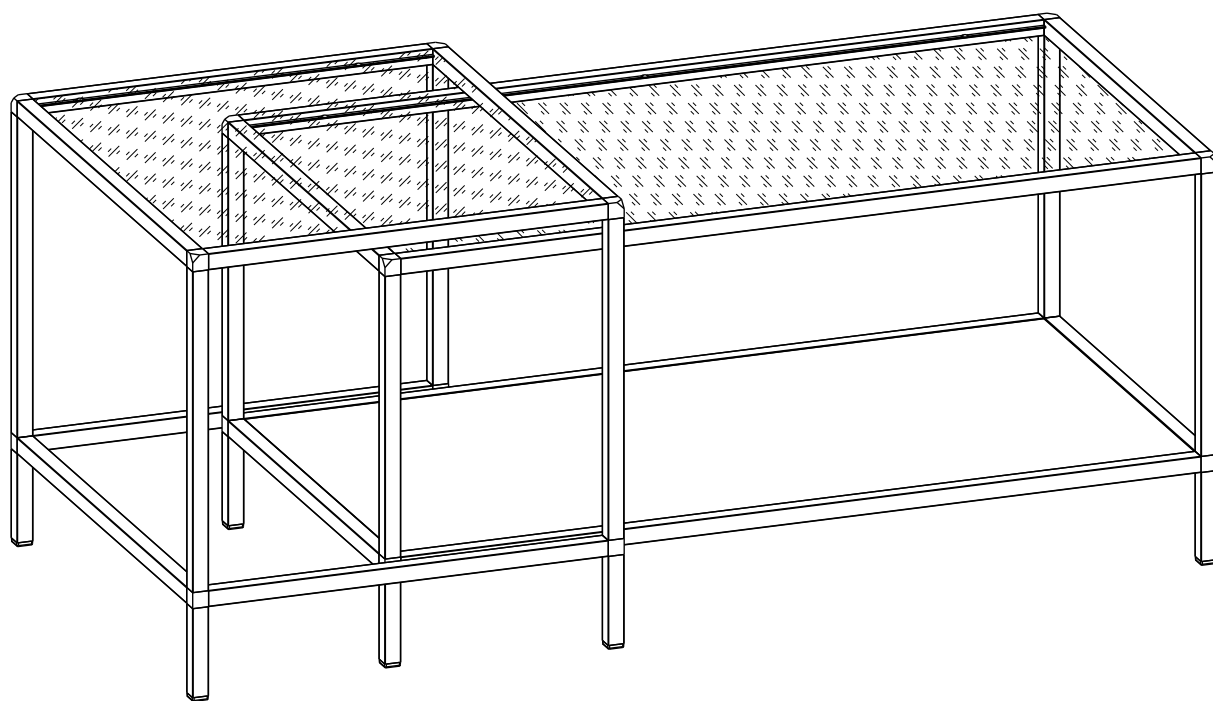


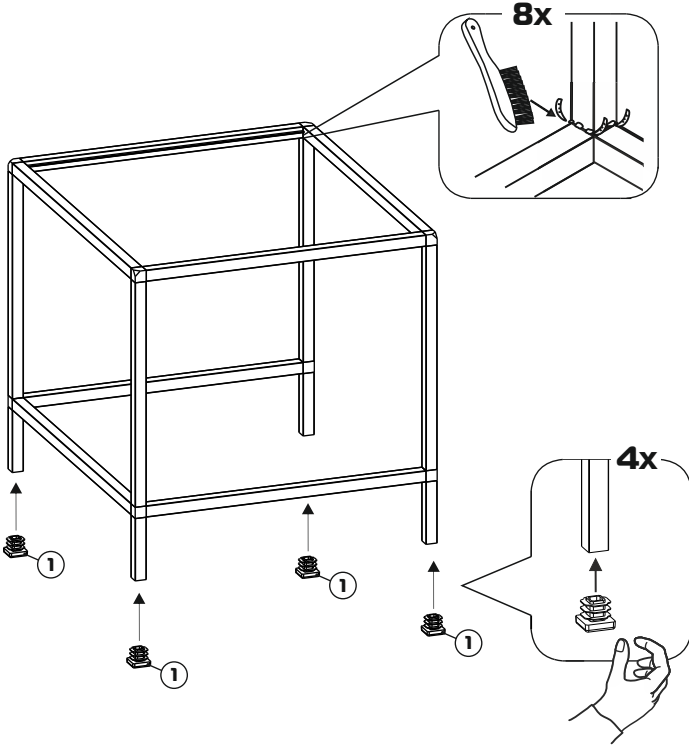
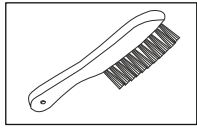
Стол ДУЭТ

DUET Table

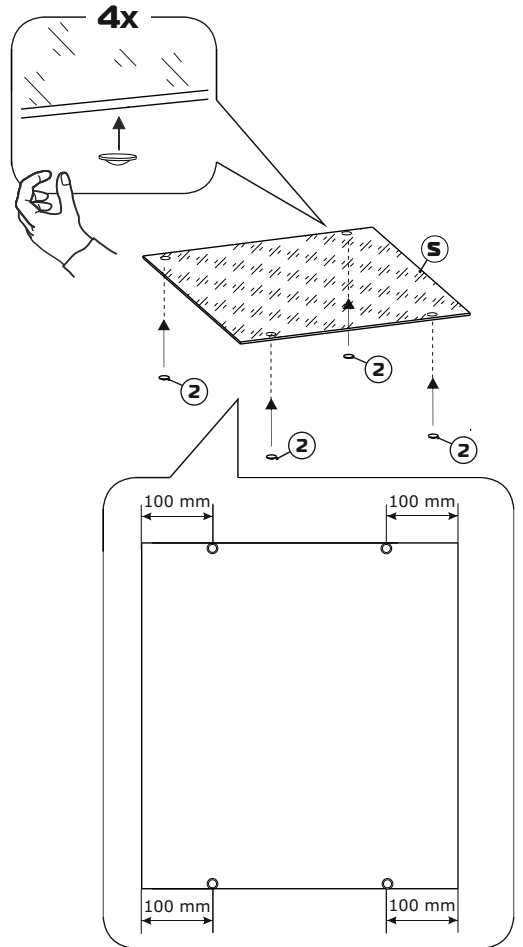
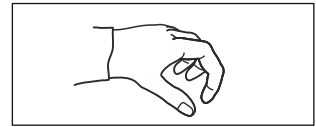
958x544x500



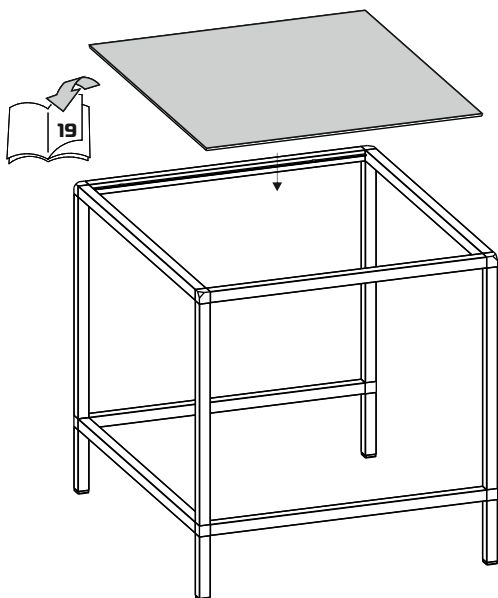
19



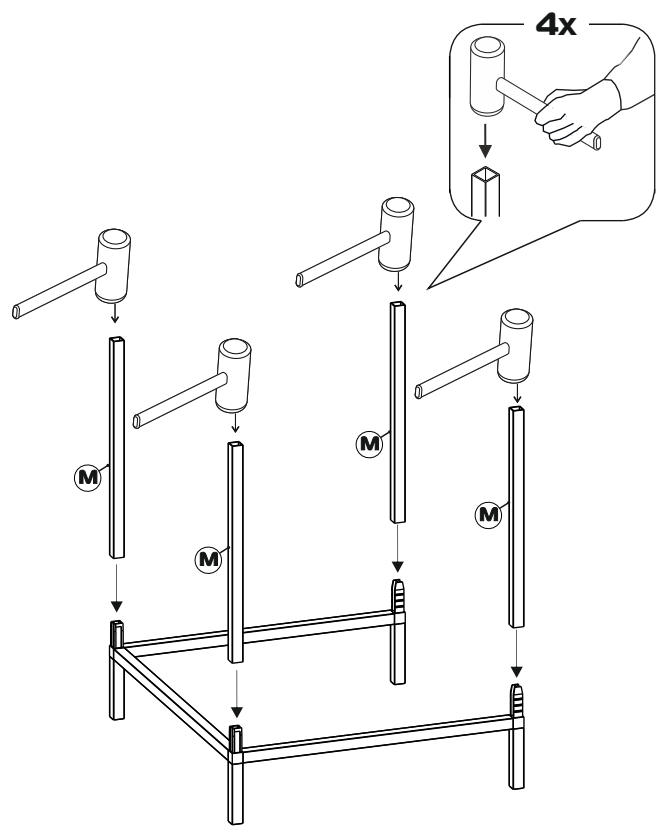
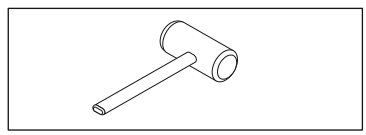
19



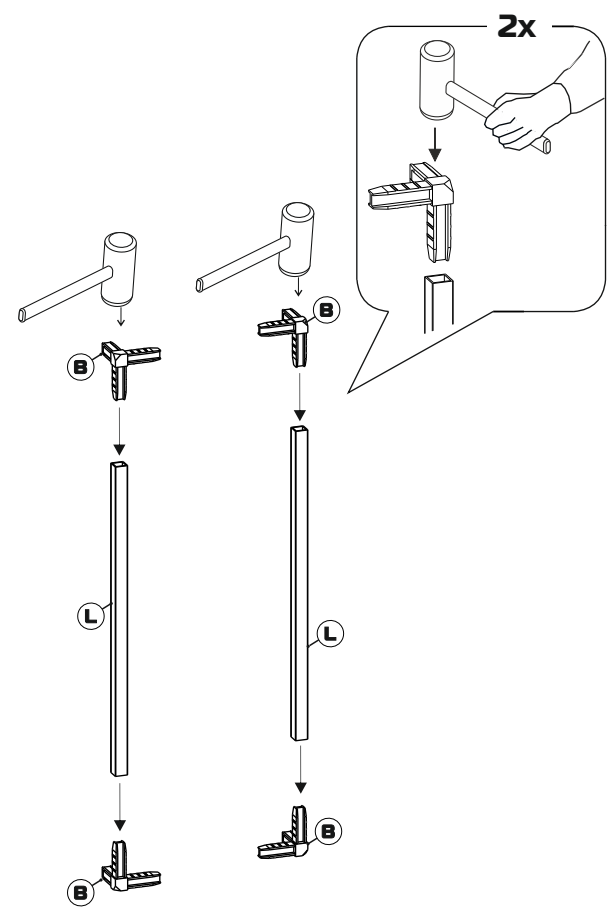
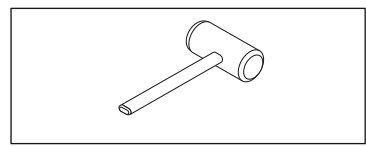
21



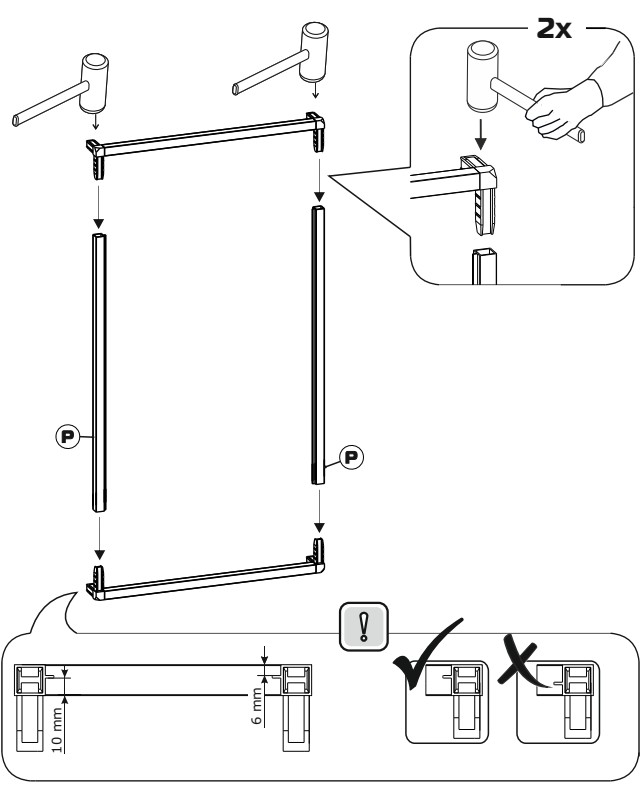
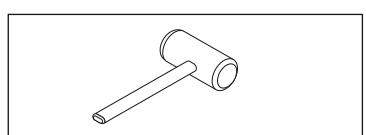
15



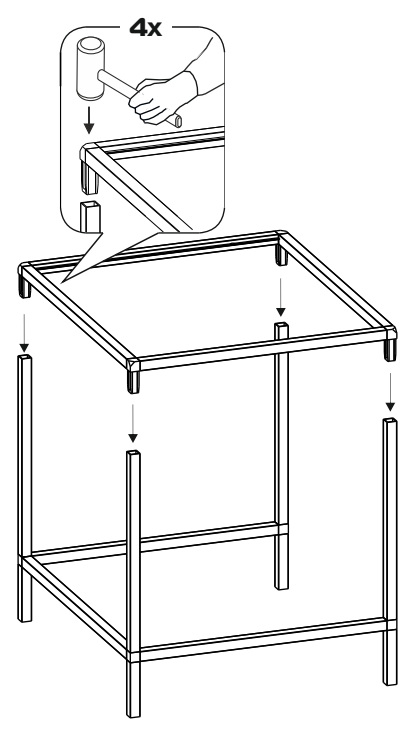
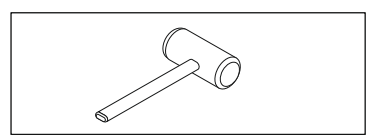
16

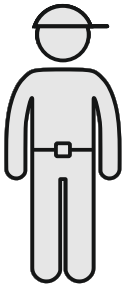


17

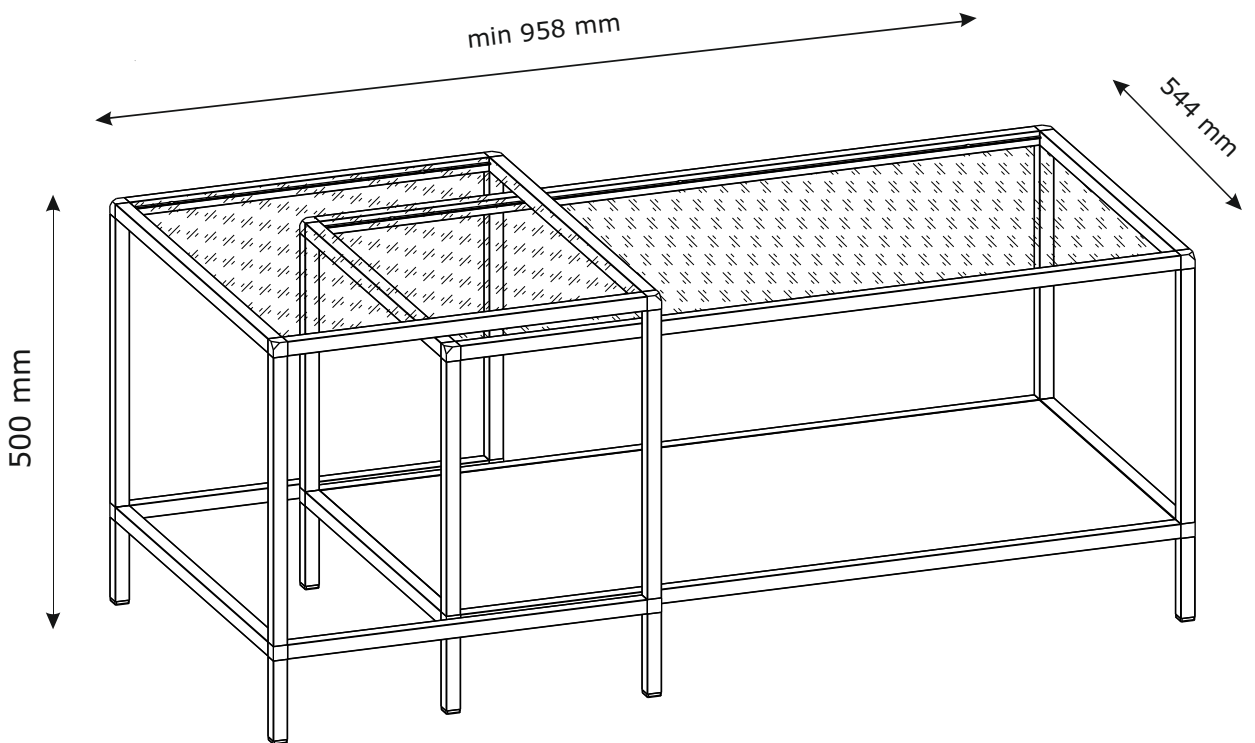
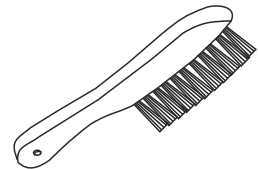
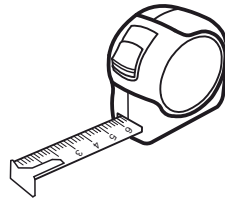
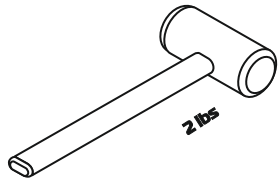
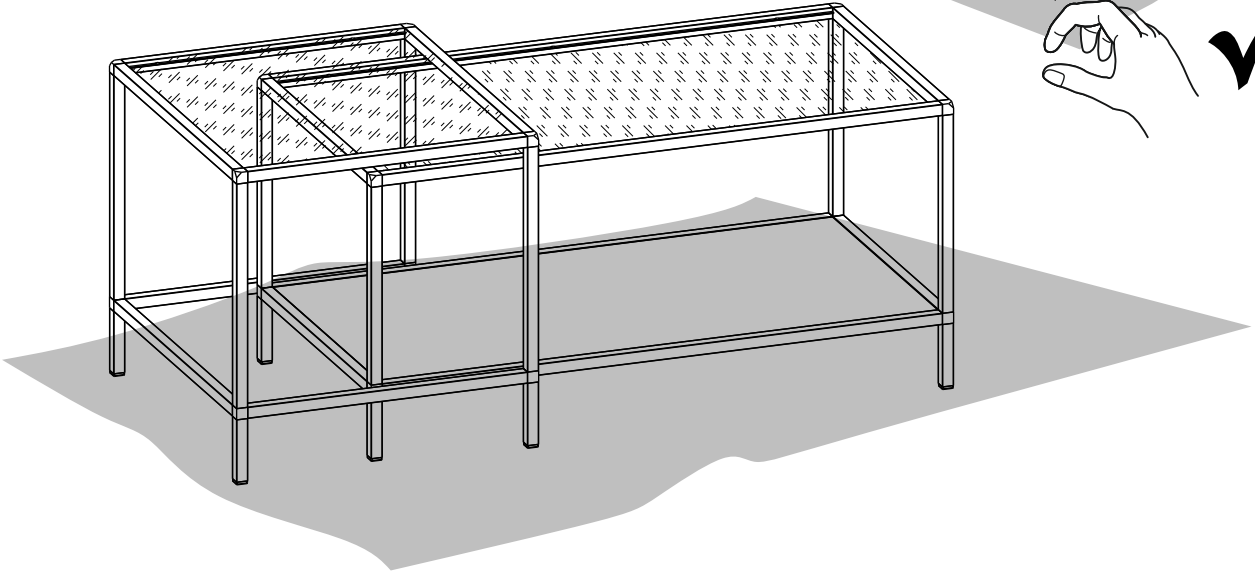
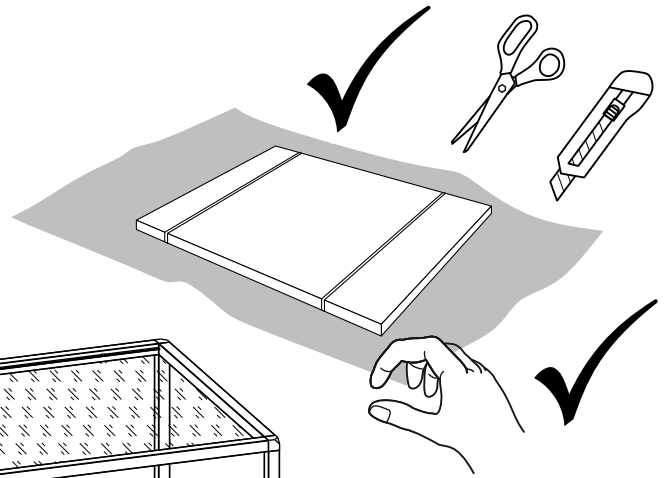


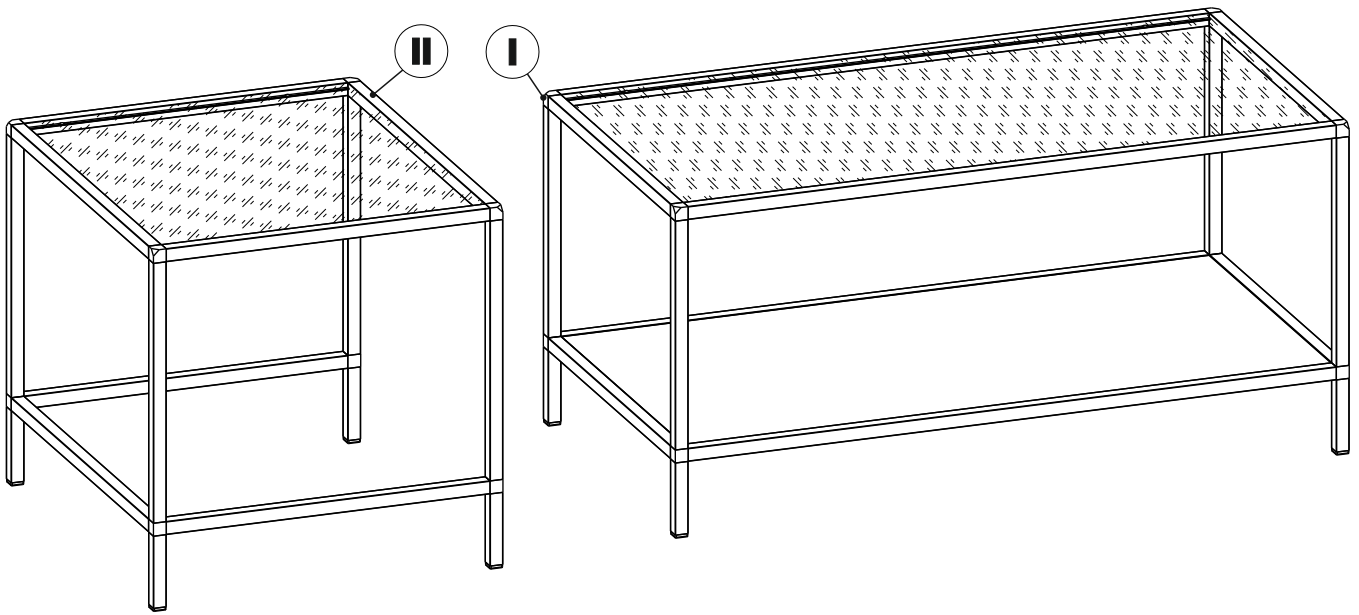
18



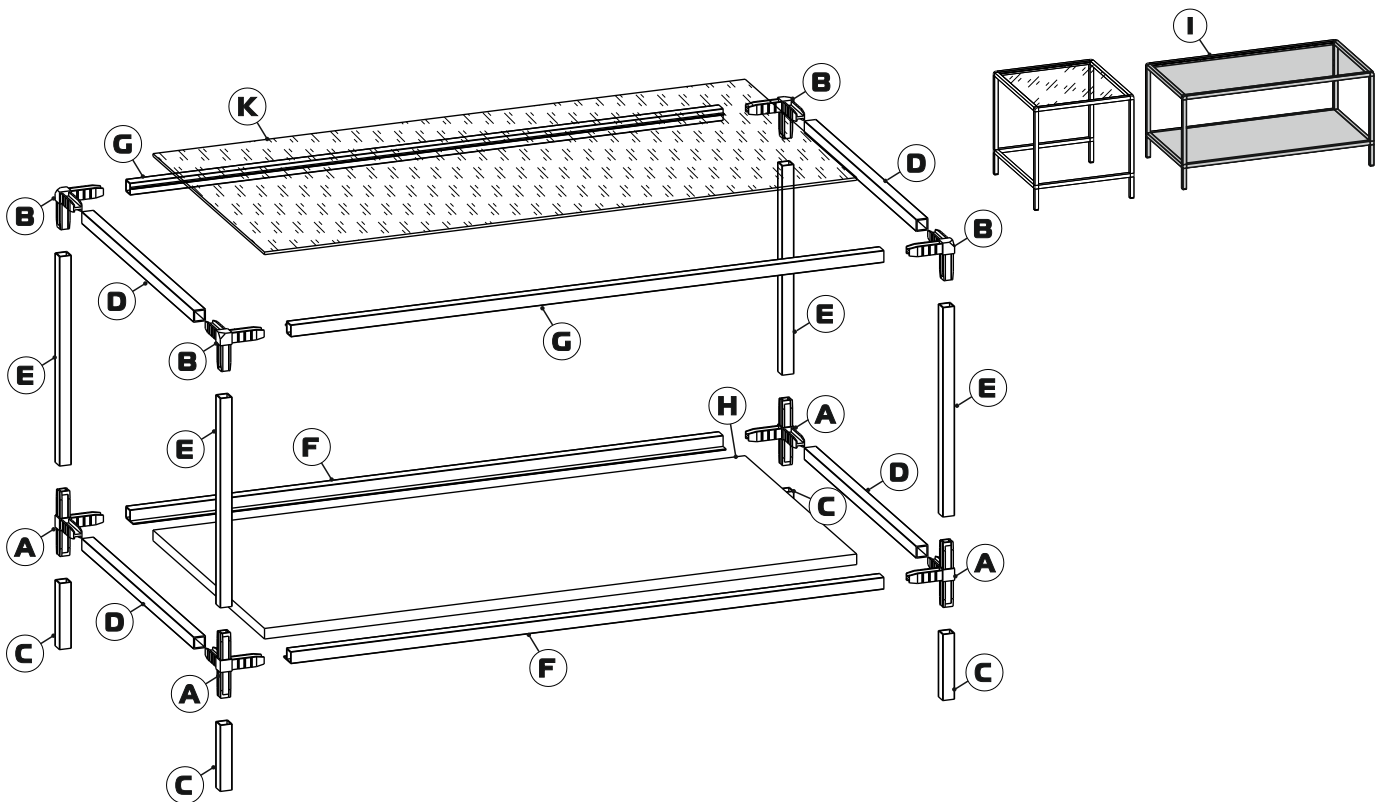



45-60 min



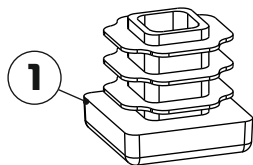


Ⓜ - x1 Ⓜ - x1



- | | | |
|------------------|------------------|-------------------|
| Ⓐ 58x118x68 (x4) | Ⓓ 452x18x18 (x4) | Ⓖ 905x23x18 (x2) |
| Ⓑ 58x68x68 (x4) | Ⓔ 317x18x18 (x4) | ⓓ 904x451x16 (x1) |
| Ⓒ 100x18x18 (x4) | Ⓕ 905x30x18 (x2) | Ⓚ 904x451x4 (x1) |

1:1



x4

5,1
18x18x81

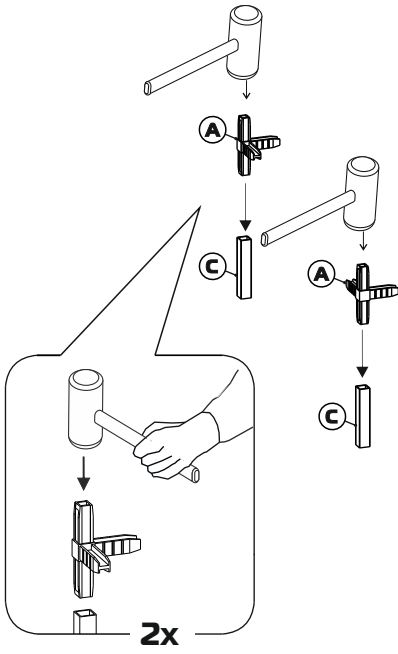
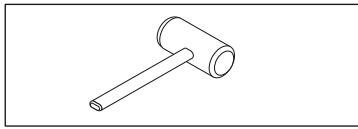


x6

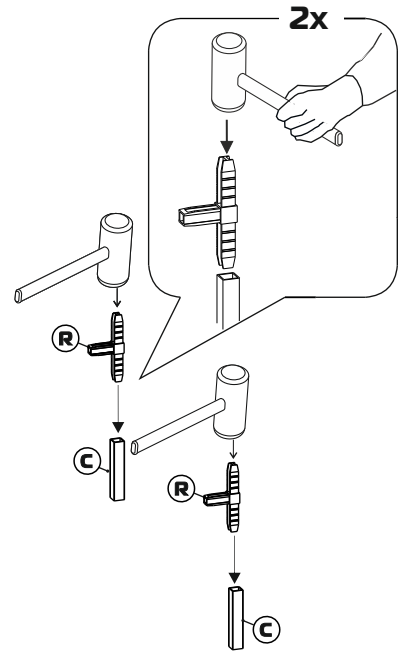
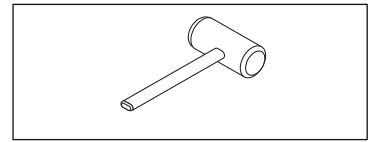
2x5,8
∅



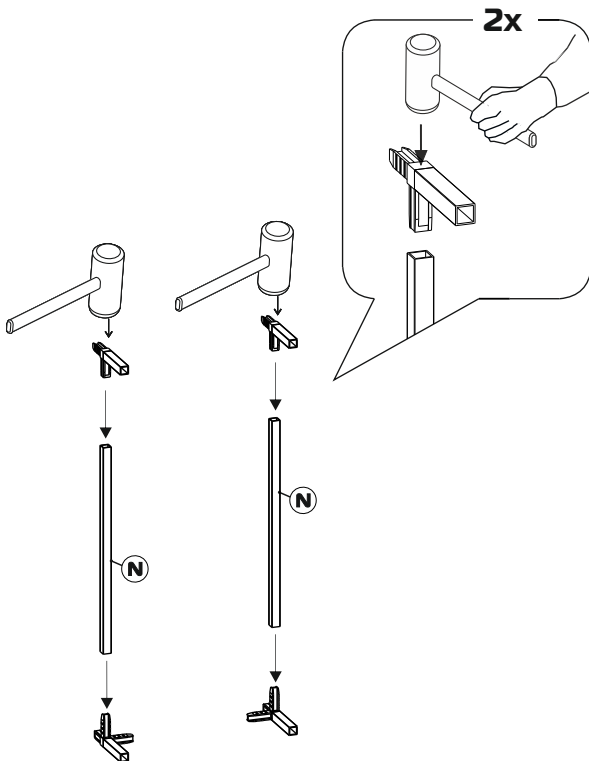
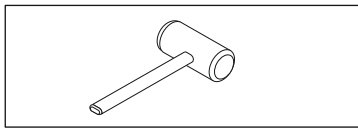
11



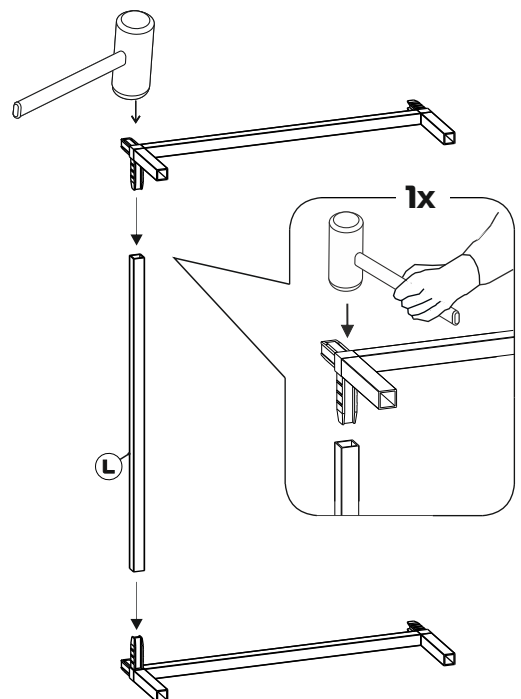
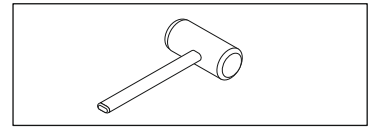
12

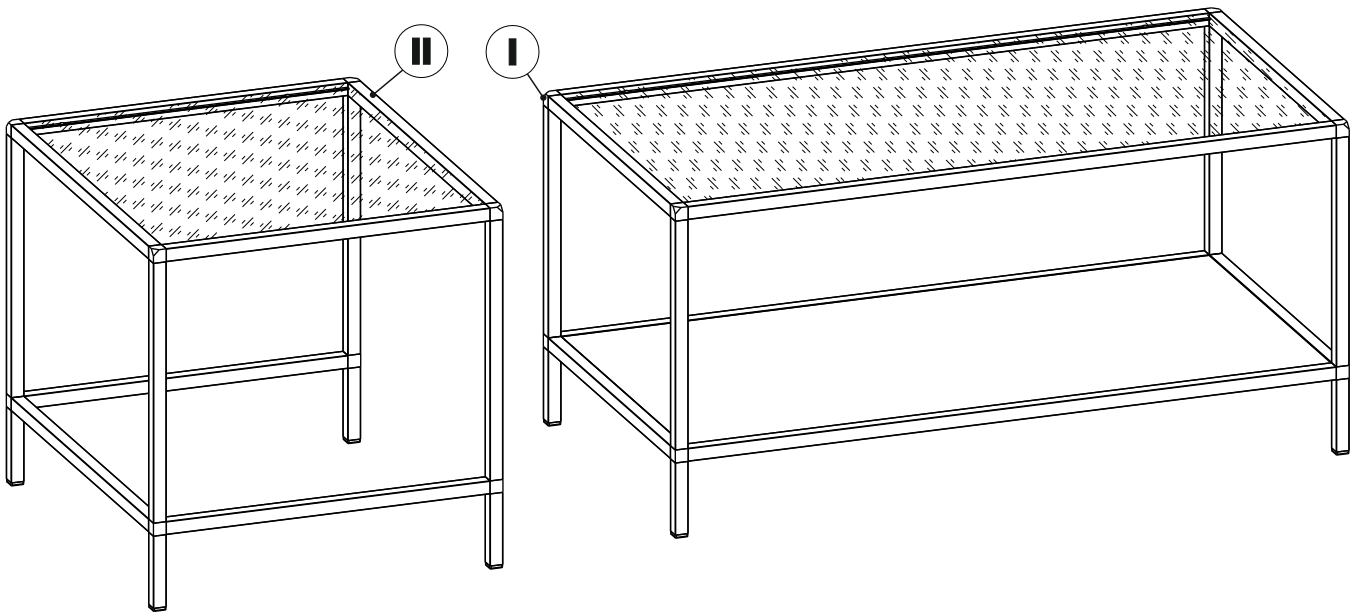


13

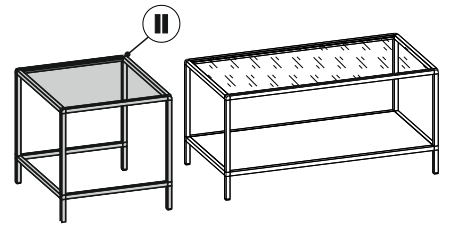
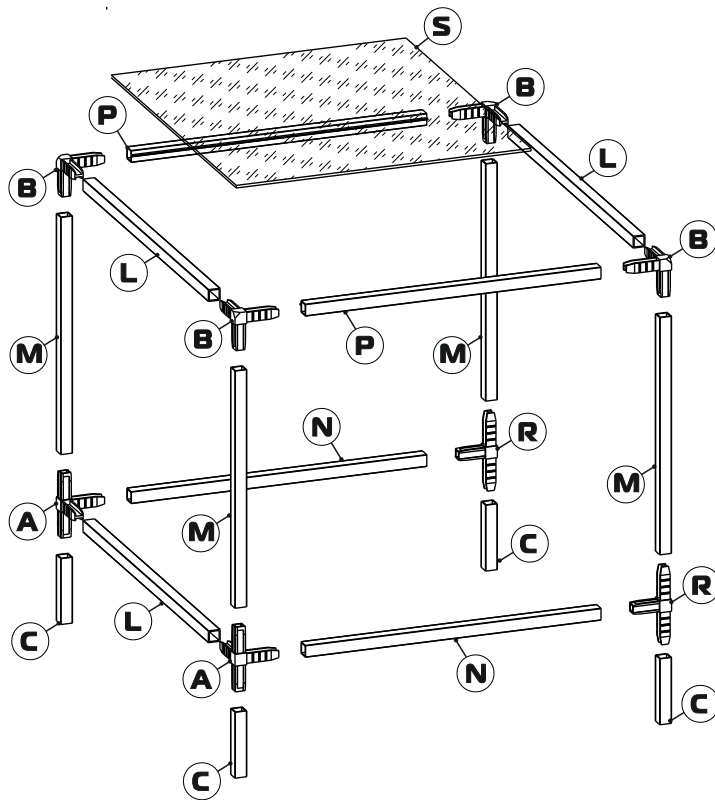


14



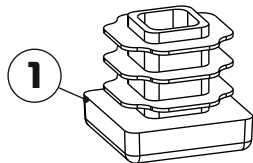


I - x1 II - x1



- | | | |
|--------------------|--------------------|--------------------|
| (A) 58x118x68 (x2) | (L) 508x18x18 (x3) | (P) 452x23x18 (x2) |
| (B) 58x68x68 (x4) | (M) 360x18x18 (x4) | (R) 18x58x118 (x2) |
| (C) 100x18x18 (x4) | (N) 452x18x18 (x2) | (S) 507x451x4(x1) |

1:1



x4

5,18x16,5
18x18x18

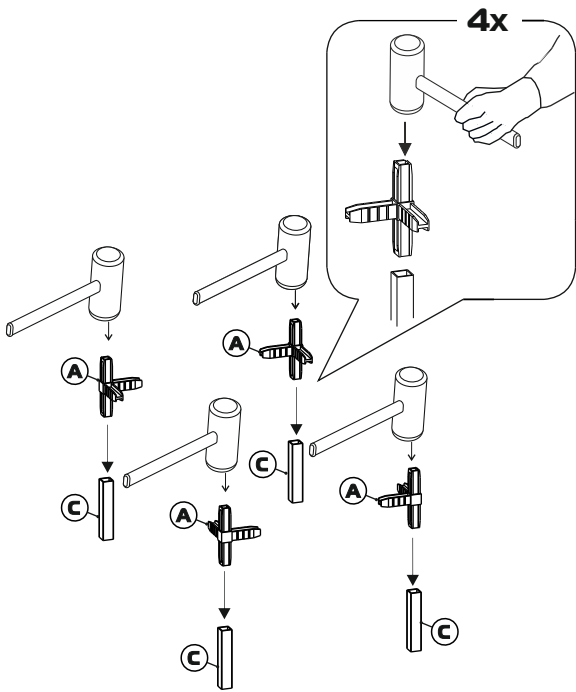
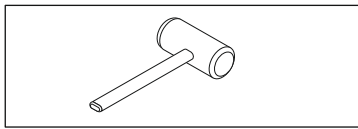


x4

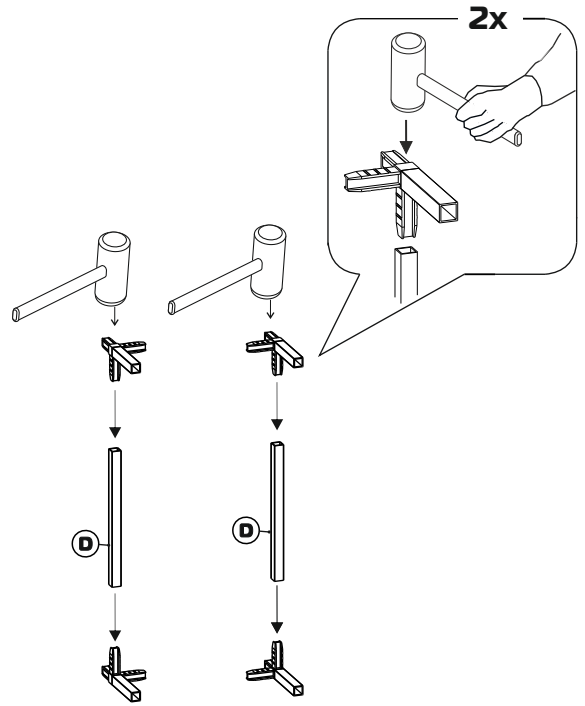
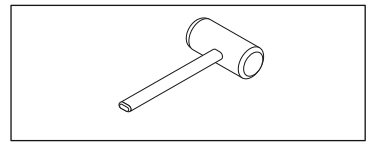
2x5,8
Ø



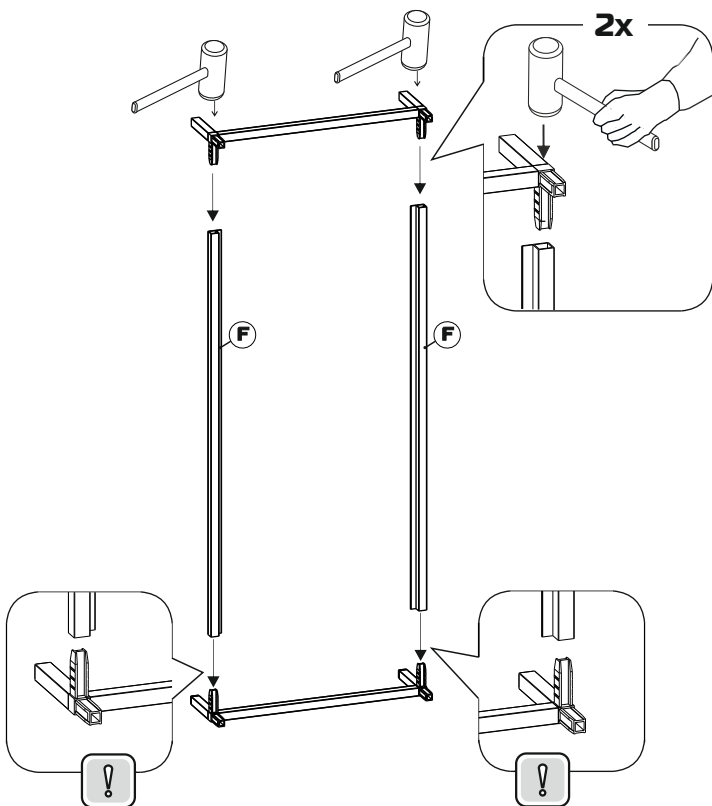
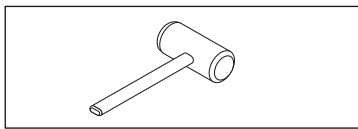
1



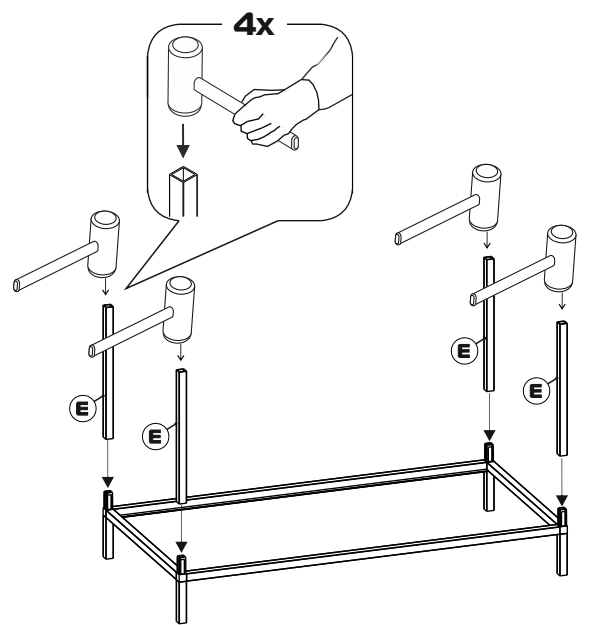
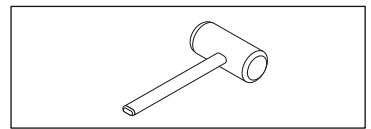
2



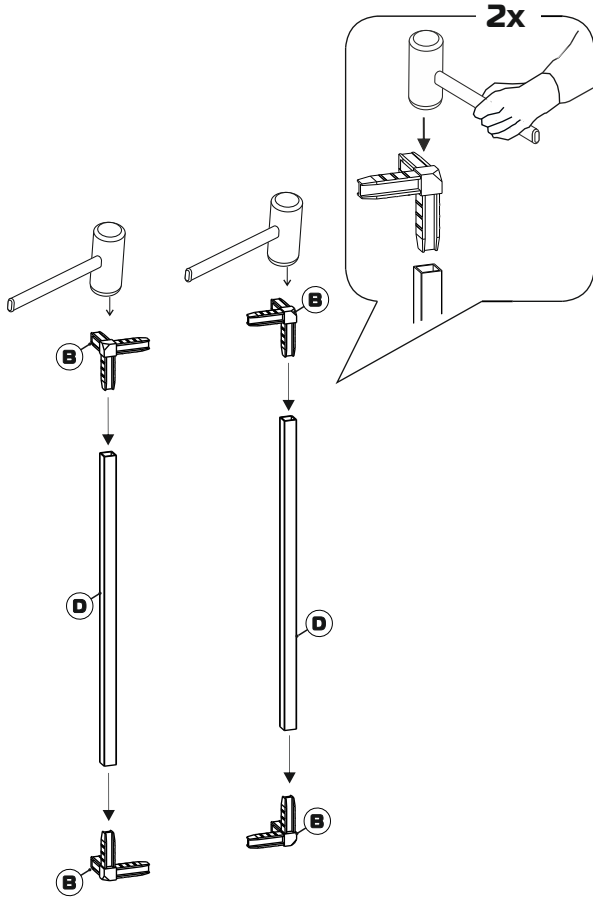
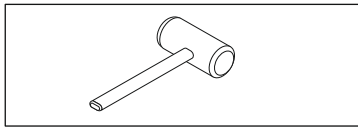
3



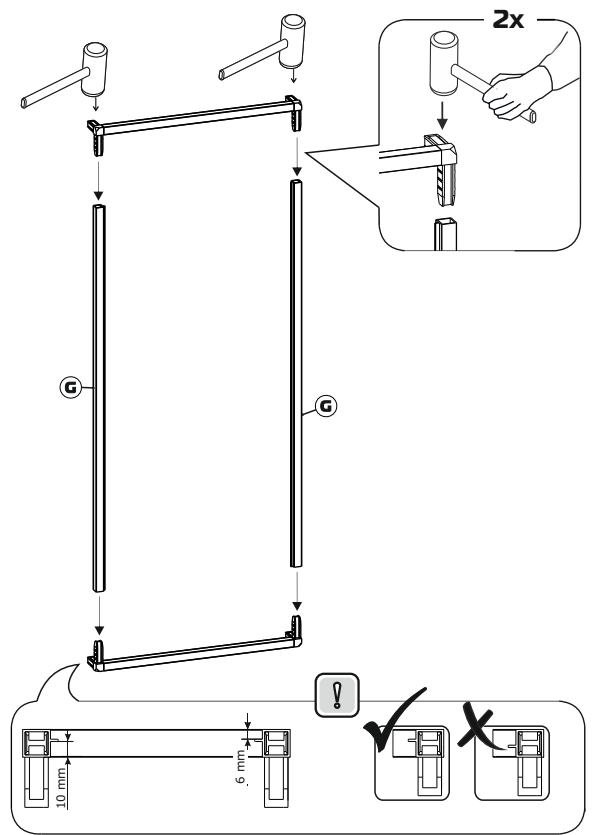
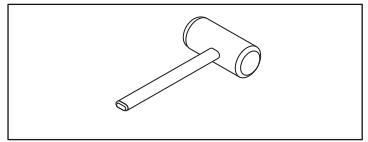
4



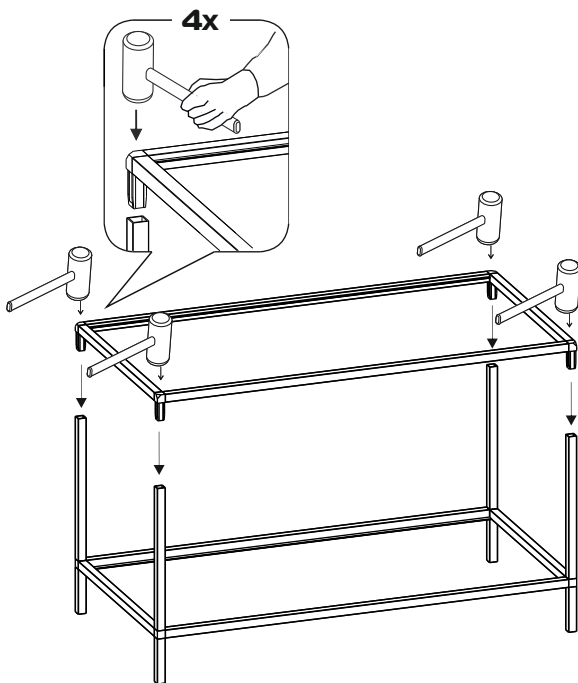
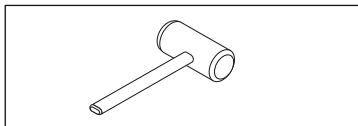
5



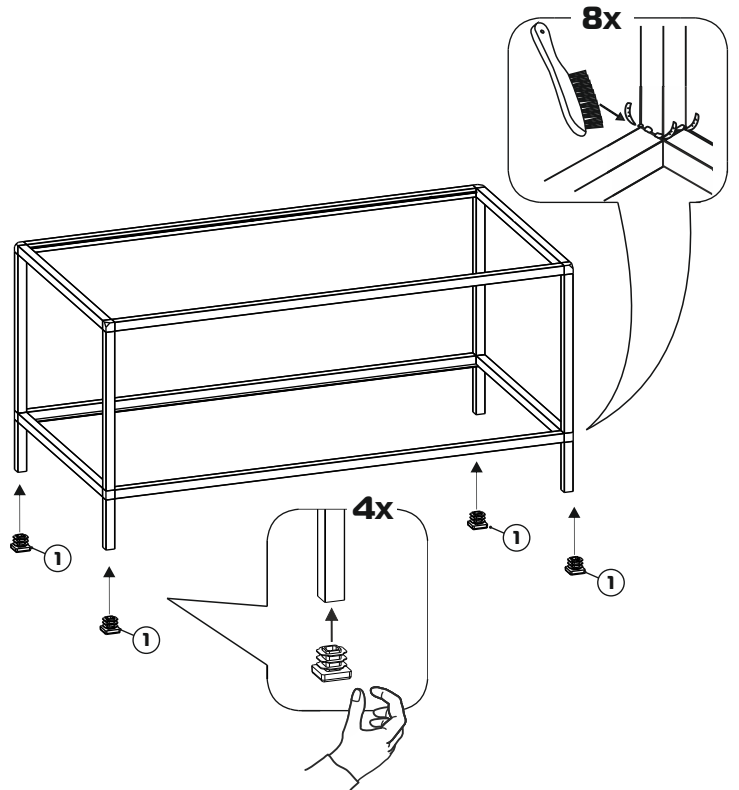
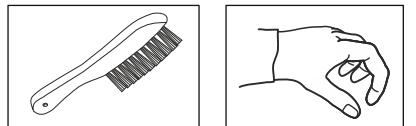
6



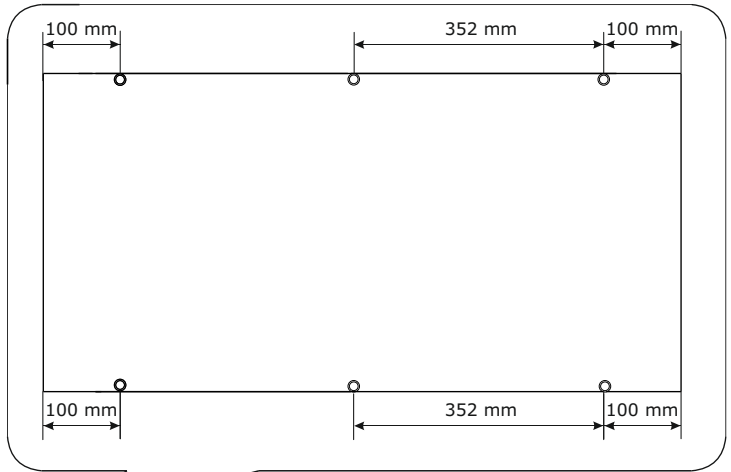
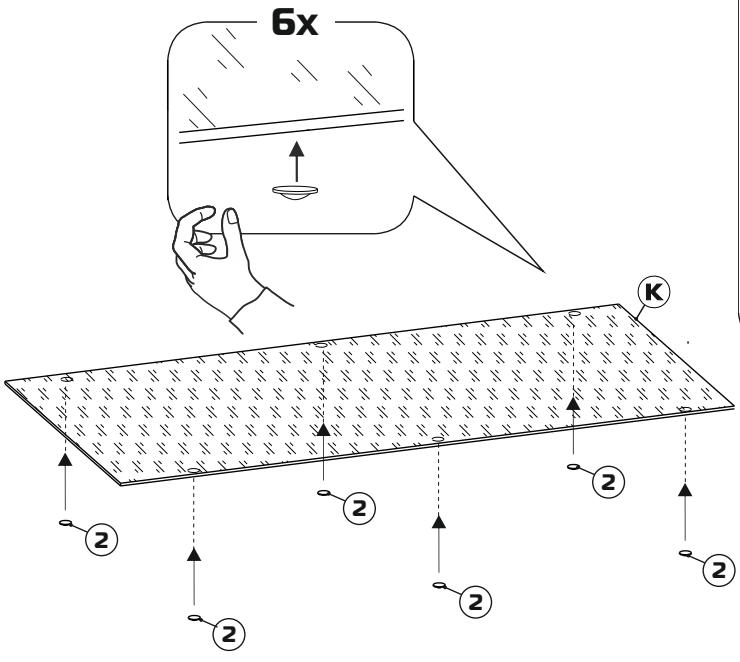
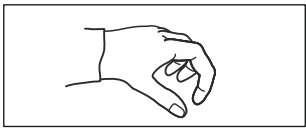
7



8



9



10

